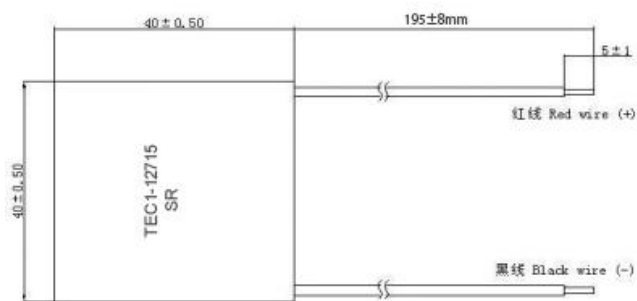
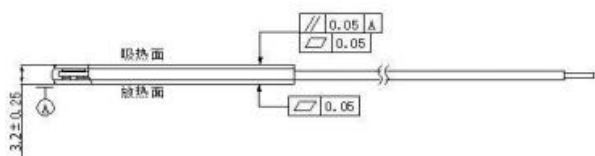


TEC1-12715

SR



Technical indicators performance data



Wire Specifications: 20# Soft silicone lead

Item/project		Value/value	Condition/Test Conditions
Maxmum current/Maximum current	I _{max} (A)	15	Q _c =0, DT=D _{tmax} , Th=31°C
Maxmum vologemaximum voltage	V _{max} (V)	15.5	Q _c =0, I=I _{max} , Th=31°C
Maxmum DT <small>Maximum temperature difference</small>	D _{tmax} (°C)	≥62	Q _c =0, I=I _{max} , Th=31°C
Max.heat pumpmaximum heat absorption	Q _{cmax} (W)	128	I=I _{max} , Dt=0, Th=31°C
Max.temperaturemaximum process temperature	Th(°C)	100	
AC resistance <small>Resistance range</small>	ACR(Ω)	0.7-0.9	