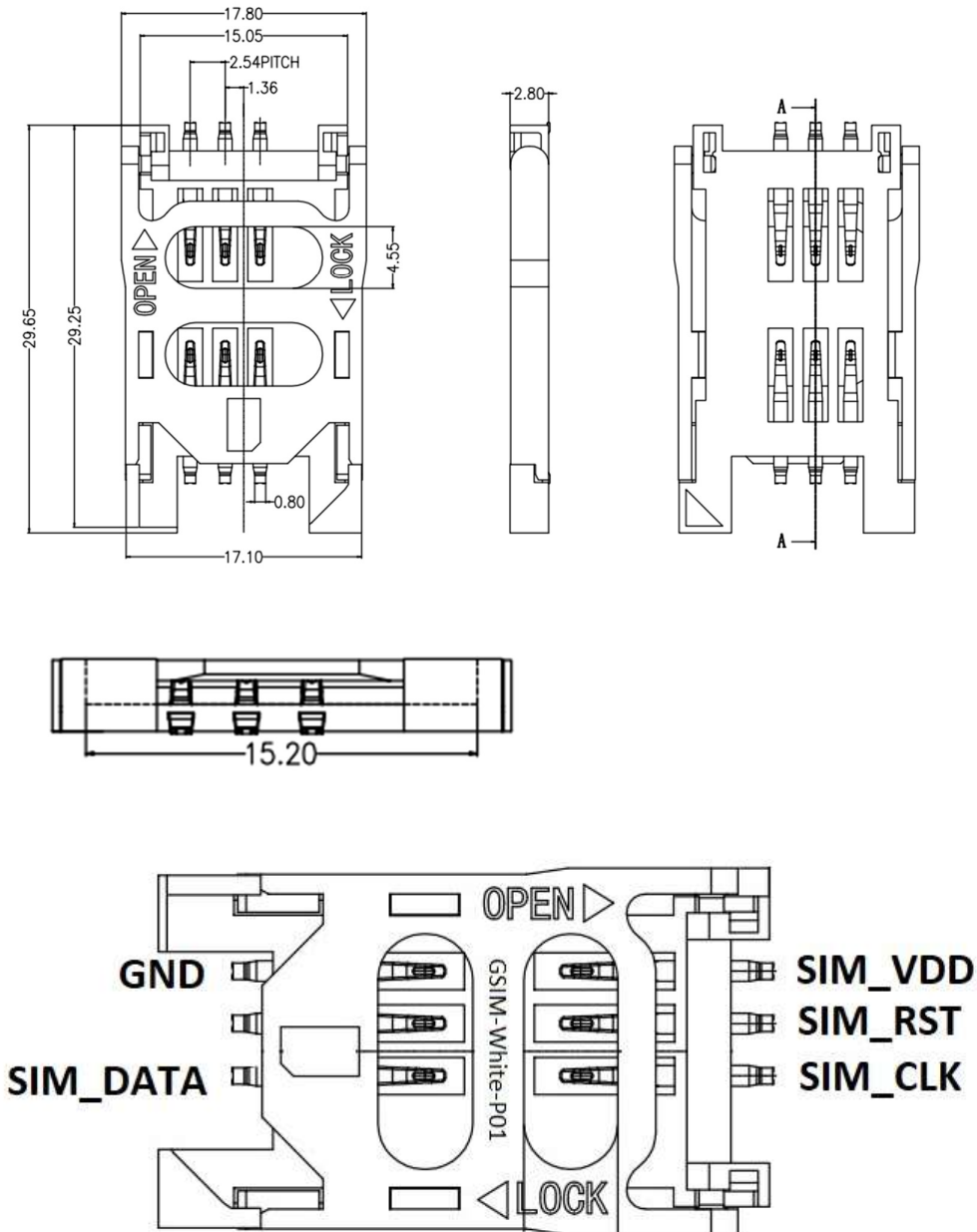


GSIM-White-P01

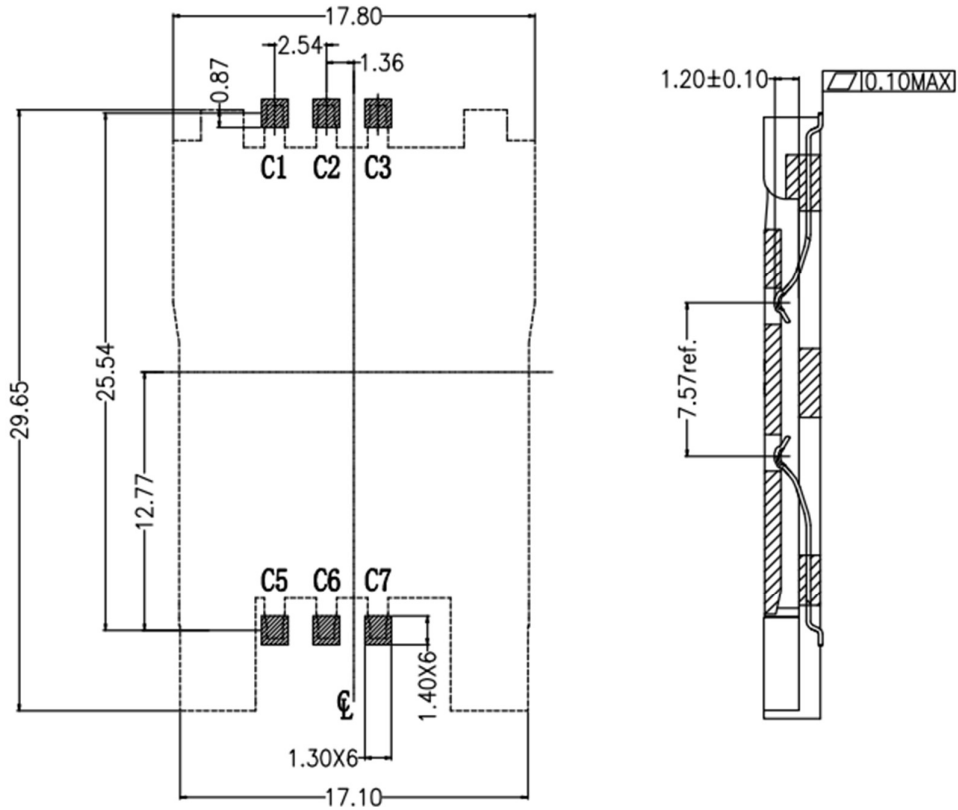
Data Sheet for Flip Type Simcard Holder White Colour GSIM-White-P01

SKU : P-01

Technical Specification:

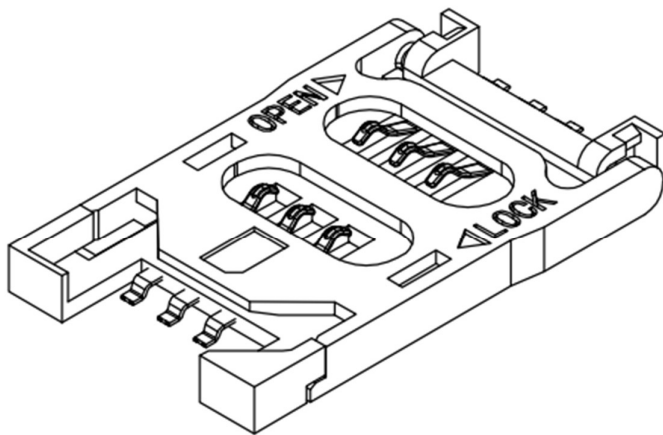


GSIM-White-P01



RECOMMENDED PCB LAYOUT

TOLERANCE: ±0.05



GSIM-White-P01

NOTES:

MATERIAL

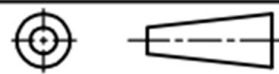
- 1.Housing:LCP UL 94V-0 White.
- 2.Contacts:PHOSPHOR BRONZE(C5210R-EH)
- 3.COVER:LCP UL 94V-0 White.

Plating:

- 1.Contacts:50U" MIN NICKEL UNDERPLATED, 100u" MIN Sn PLATED SOLDER TAILS.1U" MIN GOLD PLATED CONTACT AREA

Technical Speciality:

- 1.All Dimensions are in Millimeters.
- 2.Operation voltage: 50 VAC max.
- 3.Current rating : 1 Amps max.
- 4.Contact resistance: 100m ohms max.
- 5.Insulation resistance: 1000M ohms min. 500 VDC
- 6.Dielectric withstanding voltage: 500 VAC / 1minute
- 7.Operatng Temperature: -25°C to +85°C
- 8.Durability 5000 cycles.

TOLERANCE:	
X.X	±0.30
X.XX	±0.25
X.XXX	±0.15
X.* ±2*	X.X* ±0.5*
	
UNIT: mm [inch]	
SCALE:1:1	SIZE: A4